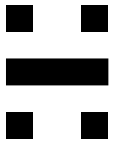


# Huddly

## L1

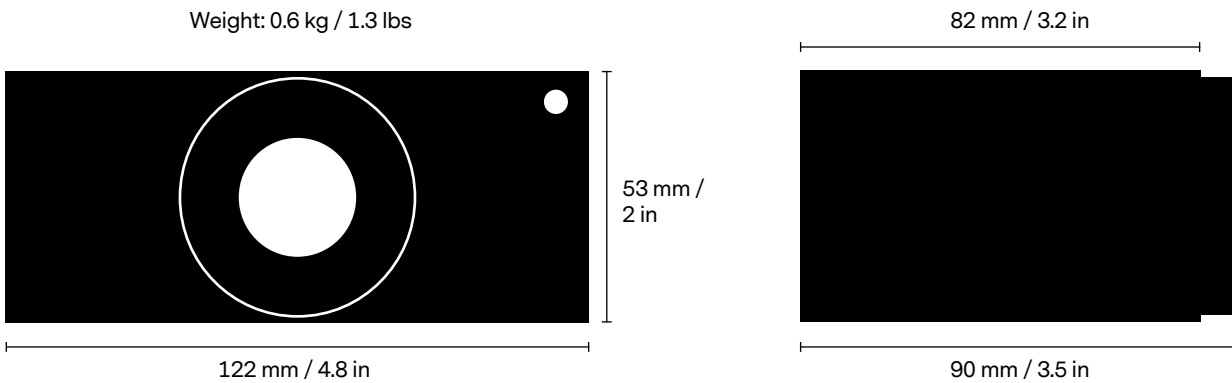


**For large and medium  
rooms.**



# Huddly L1

## Product Information



## Specifications

### Image

- 6K image sensor
- 20.30 Megapixels 1" CMOS Sensor
- 1080p Full HD @ 30 fps
- 720p HD @ 30fps
- Up to 5x digital zoom
- 16:9 aspect ratio output
- 180° image auto-flip

### Optics

- Wide-angle glass optics
- Horizontal field of view 92°
- Vertical field of view 65°
- Diagonal field of view 103°
- f/2.9 aperture

### System & Hardware Requirements

- Windows 10
- Huddly USB Adapter (included)

### Connectivity

- Connector: RJ45
- Cable: Cat 5e/6/7
- USB 3.0 port (via USB Adapter)

### Hardware

- High-performance VPU with neural compute engine
- Aluminum body
- Camera tripod mount

### Color

Matte Black

### Wall & Shelf Mount (Included)

- Made for placement on wall or shelf
- Weight of Mount: 120 g/ 0.2 lbs

### Packaging Dimensions

L: 274 mm x W: 184 mm x H: 93 mm

# Huddly L1

## Product Information

### Features

#### Genius Framing

The camera detects the people in its entire field of view and intelligently frames them for the best experience.

#### Digital Pan/Tilt/Zoom

The camera has no moving parts, allowing Pan, Tilt, and Zoom functions to be adjusted smoothly, silently and instantly.

#### Software-Upgradable

The camera gets even smarter over time with regular software enhancements and new intelligent features.

#### Power over Ethernet

The camera receives power and transmits data through Power over Ethernet. Installation is reliable and flexible in regard to cable length.

#### Speaker Framing

Using Huddly L1's built-in AI director, Speaker Framing edits video meetings in real time. With a primary focus on the speaker, it also includes listening shots and overview shots to show non-verbal reactions and provide room context.

#### Image Enhancement

The camera automatically corrects white balance, color, and optical aberration. It reduces image noise through bias compensating spatio-temporal filtering with wide-area chroma filtering and adapts to poor lighting conditions with Dynamic Light Optimization.

#### Real-Time Dewarping

The camera's wide-angle image is dewarped and perspective corrected in real time, rendering a natural, true-to-life view.

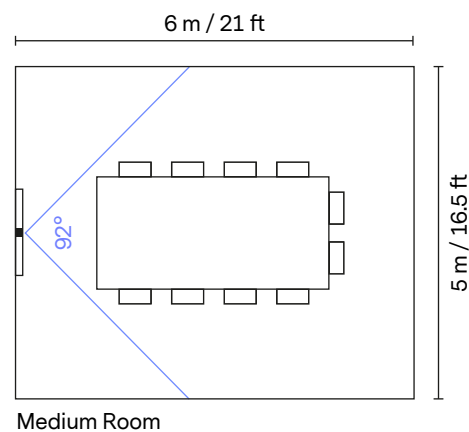
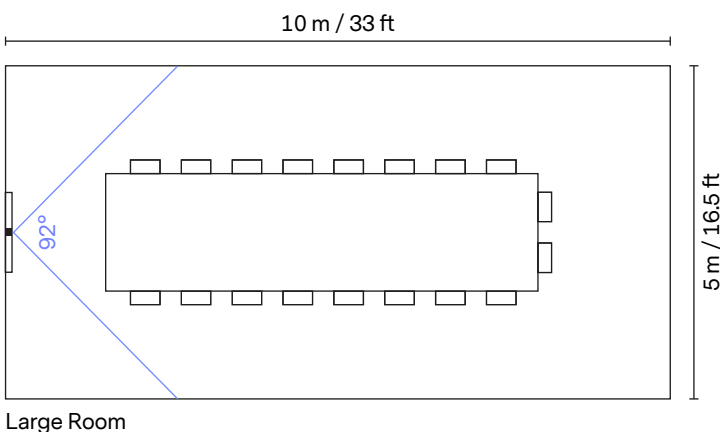
#### Portrait Lighting

The camera uses AI to understand the lighting conditions in the image. It automatically adjusts exposure to ensure that faces are well-lit and facial expressions are clearly visible.

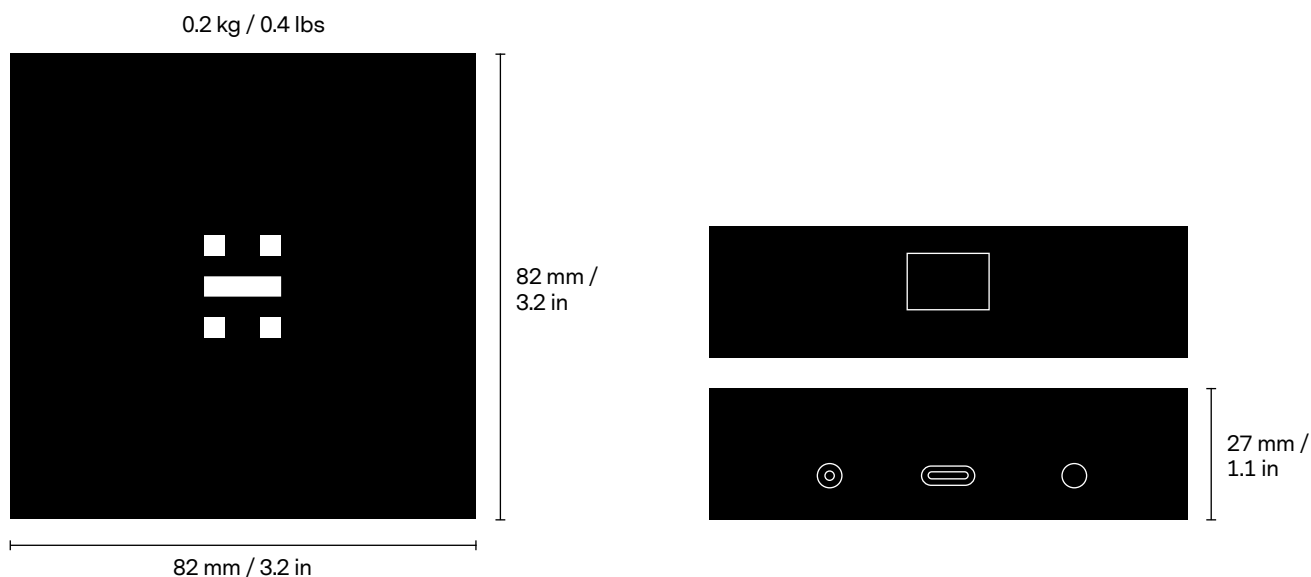
#### InSights Analytics API

The camera can detect and count the people within its entire field of view, with high-quality analytics data accessible via the Huddly InSights API.

### Room Examples



# Huddly USB Adapter



The Huddly USB Adapter lets you connect Huddly L1 to your meeting room device via a USB port. With USB plug-and-play functionality, it makes Huddly L1 easy to install and use.

## Features

- USB plug and play for Huddly L1
- USB Video Class (UVC) support
- PoE output to power connected camera

## Connectivity

- USB connectivity to host computer
- SuperSpeed USB 3
- HighSpeed USB 2
- PoE Gigabit Ethernet port to camera
- DC power connector

## Power Requirements

Requires external 5V 3A power using the included external AC/DC 5V 4A power adapter.

## Hardware Specifications

- Aluminum body
- Built-in magnet for easy mounting to metal surfaces
- Wall mount plate (included)

## Color

Matte Black

## System & Hardware Requirements

Any operating system with built-in USB plug and play support, including:

- Windows 10 or later
- macOS
- ChromeOS

# Huddly USB Adapter

## Connectivity

Install Huddly L1 in any room with a single Ethernet cable of up to 100 meters. The USB Adapter comes with both USB-C and USB-A cables for connecting to your meeting devices.

